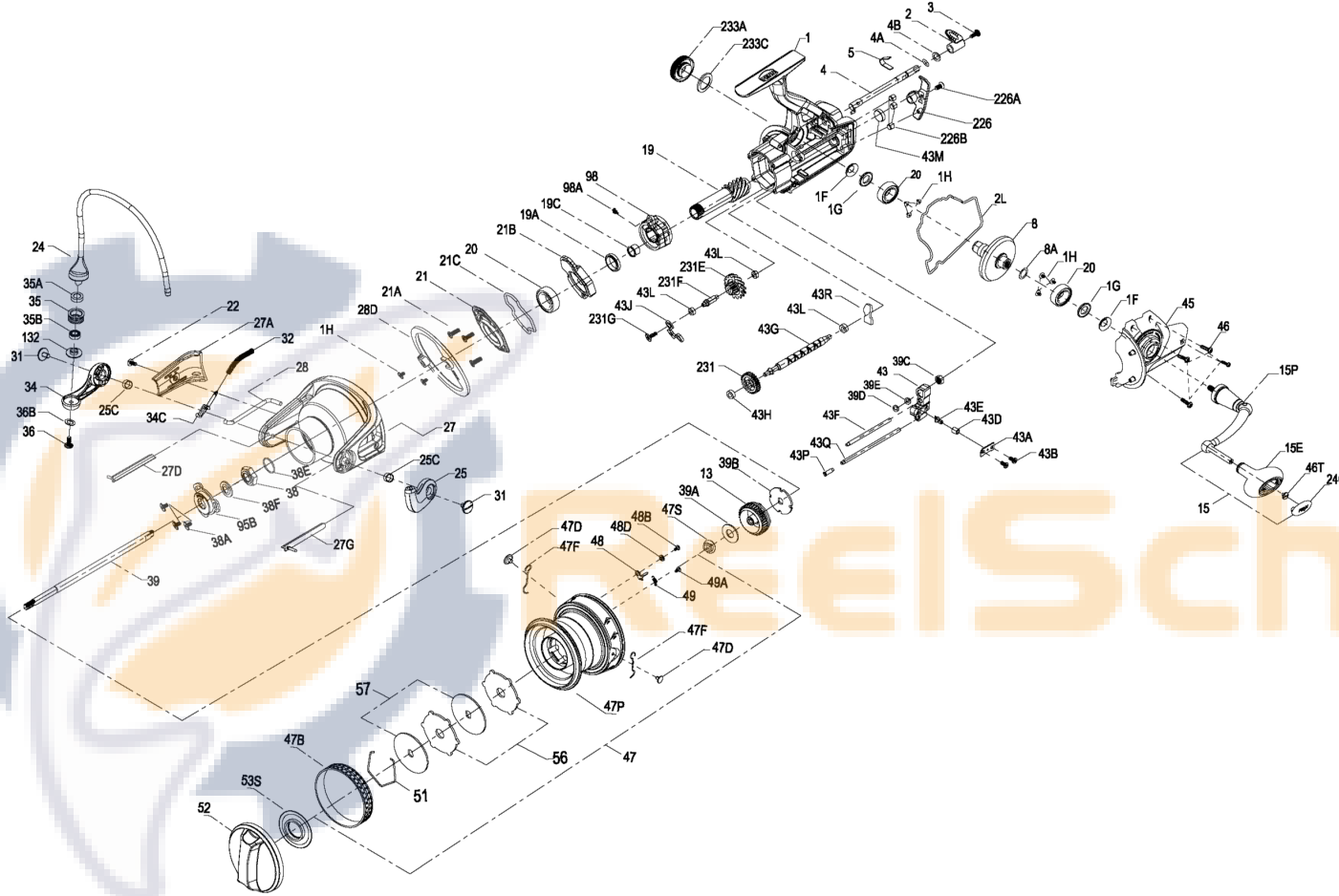




# PARTS LIST FOR MODEL SSVII5500LC-US / SSVII5500LC-EU



KEY NO.	PART NO.	PENN STYLE NO.	DESCRIPTION
27G	1494830	27G-SSVI5500LC	Line Guard
28	1494831	28-SSVI5500LC	Bail Trip Lever
28D	1494832	28D-SSVI5500LC	Rotor Brake
31	1339513	31-CLA5000	Arm Lever Screw
32	1277162	32-SSV7500	Bail Spring
34	1389468	34-CLA6000	Bail Arm
34C	1389469	34C-CLA6000	Pivot Arm
35	1277059	35-SSV5500	Line Roller
35A	1457404	35A-SLAI16500HS	Bushing
35B	1377606	35A-BTLI18000LC	Ball Bearing
36	1277166	36-SSV7500	Line Roller Screw
36B	1417809	36B-CLA6000	Washer
38	1419051	38-SLA5500	Rotor Nut
38A	1119121	20C-7000AF	Rotor Nut Screw
38E	1418958	38E-SLA3500	Pinion Gear Seal
38F	1419052	38F-SLA5500	Rotor-Main Shaft Seal
39	1494833	39-SSVI5500LC-US	Main Shaft
39	1494834	39-SSVI5500LC-EU	Main Shaft
39A	1483099	39A-CFTI14000LC	Spool Adjust Washer
39B	1483100	39B-CFTI14000LC	Main Shaft Washer
39C	1483101	39C-CFTI14000LC	Main Shaft Nut
39D	1483147	39D-CFTI15000LC	Rubber Pad
39E	1483148	39E-CFTI15000LC	Fixing Plate
43	1483149	43-CFTI15000LC	Oscillation Slider
43A	1259635	43A-7000AF	Slider Retainer Plate
43B	1276992	14-SSV6500LL	O/S Slider Retainer Screw
43D	1122193	43D-7000AF	Oscillation Slide Bushing
43E	1122192	43E-7000AF	Guide Pawl
43F	1483150	43F-CFTI15000LC	Right Guide Shaft
43G	1494835	43G-SSVI5500LC	Worm Shaft
43H	1377609	43H-BTLI18000LC	Worm Shaft Ball Bearing
43J	1483154	43J-CFTI15000LC	Worm Shaft Top Retainer Plate
43L	1341533	43L-SSV7500LC	Worm Shaft Lower Bushing
43M	1341534	43M-SSV7500LC	Worm Shaft Seal
43P	1494846	43P-SSVI5500LC	Guide Shaft Seal
43Q	1483151	43Q-CFTI15000LC	Left Guide Shaft
43R	1483155	43R-CFTI15000LC	Rear Retainer Plate
45	1494836	45-SSVI5500LC	Body Cover Assembly
46	1277074	46-SSV5500	Body Cover Screw
46T	1494762	46T-SSVI6500LL	Screw
47	1610965	47-SSVII5500LC	Spool Assembly
47B	1483162	47B-CFTI15000LC	Spool Band
47D	1483163	47D-CFTI15000LC	Line Clip
47F	1483164	47F-CFTI15000LC	Line Clip Retainer
47P	1610966	47P-SSVII5500LC	Spool
47S	1494845	47S-SSVI5500LC	Seal
48	1483167	48-CFTI15000LC	Spool Clicker
48B	1385581	48B-CLA3000	Spool Clicker Screw
48D	1341546	48D-SSV7500LC	Spool Clicker Spacer Ring
49	1259579	49-7000AF	Spool Clicker Spring
49A	1341547	49A-SSV7500LC	Spool Clicker Spring Screw
51	1447925	51-CFTI15000	Drag Ring
52	1494839	52-SSVI5500LC-US	Drag Knob Assembly
52	1494840	52-SSVI5500LC-EU	Drag Knob Assembly
53S	1447927	53S-CFTI15000	Drag Knob Seal
56	1339557	56-CLA5000	Drag Friction Washer
57	1483172	57-CFTI15000LC	Drag Keyed Washer
95B	1494841	95B-SSVI5500LC	Rotor Locking Plate
98	1494842	98-SSVI5500LC	Clutch Assembly
98A	1378449	98A-BTLI18000LC	Clutch Assembly Spring
132	1419049	132-SLA5500	Line Roller Collar
226	1494843	226-SSVI5500LC	Rear Cover
226A	1341553	226A-SSV7500LC	Rear Cover Screw
226B	1341554	226B-SSV7500LC	Body Rear Seal
231	1483175	231-CFTI15000 LC	Oscillation Gear
231E	1483176	231E-CFTI15000 LC	Slow O/S Gear
231F	1483177	231F-CFTI15000 LC	Slow O/S Gear Pin
231G	1494844	231G-SSVI5500LC	Screw
233A	1419118	233A-SLA7500	Handle Cap Assembly
233C	1419076	233C-SLA5500	Handle Cap Seal

KEY NO.	PART NO.	PENN STYLE NO.	DESCRIPTION	KEY NO.	PART NO.	PENN STYLE NO.	DESCRIPTION
1	1610963	1-SSVII5500LC	Body Assembly	15P	1494821	15P-SSVI5500LC	Sub-Handle Assembly
1	1610964	1-SSVII5500LCEU	Body Assembly	19	1494822	19-SSVI5500LC	Pinion Gear
1F	1419019	1F-SLA5500	Body Side Seal	19A	1483128	19A-CFTI15000LC	Pinion Gear Washer
1G	1419020	1G-SLA5500	Body Side Seal Lock Plate	19C	1339492	19C-CLA 5000	Pinion Gear POM Bushing
1H	1418957	1H-SLA3500	Body Side Screw	20	1308090	20-CFT5000	Ball Bearing
2	1341498	2-SSV7500LC	A/R Button	21	1494823	21-SSVI5500LC	Pinion Bearing Retainer
2L	1494818	2L-SSVI5500LC	Body Seal	21A	1277044	21A-SSV5500	Pinion Bearing Retainer Screw
3	1341500	3-SSV7500LC	A/R Button Screw	21B	1494824	21B-SSVI5500LC	Collar
4	1483122	4-CFTI15000LC	A/R Pawl / Lever	21C	1494825	21C-SSVI5500LC	Collar Seal
4A	1341502	4A-SSV7500LC	A/R Lever Seal	22	1092845	22-CLA2000	Rotor Cover Screw
4B	1361929	4B-SSV7500LC	A/R Lever Washer	24	1494826	24-SSVI5500LC	Bail Assembly
5	1483123	5-CFTI15000LC	A/R Pawl / Lever Spring	24C	1494753	24C-SSVI6500LL	Handle Knob Cap
8	1611035	8-SSVII5500LC	Drive Gear	25	1339500	25-CLA5000	Bail Holder
8A	1277037	8A-SSV5500	Drive Gear Shim Washer	25C	1102065	25C-CLA5000	Bushing
13	1483048	13-CFTI14000LC	Clicker Gear	27	1494827	27-SSVI5500LC	Rotor
15	1494820	15-SSVI5500LC	Handle Assembly	27A	1494828	27A-SSVI5500LC	Rotor Cover
15E	1494749	15E-SSVI6500LL	Handle Knob	27D	1494829	27D-SSVI5500LC	Line Guard

407-SSVII5500LC Rev.00 21-04-2023  
 1594606-SSVII5500LC-US  
 1595350-SSVII5500LC-EU